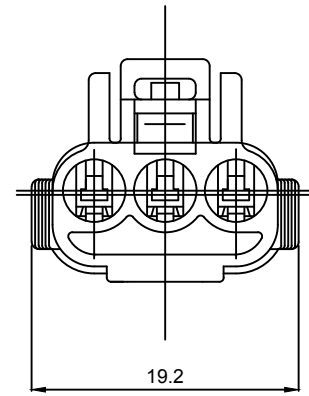
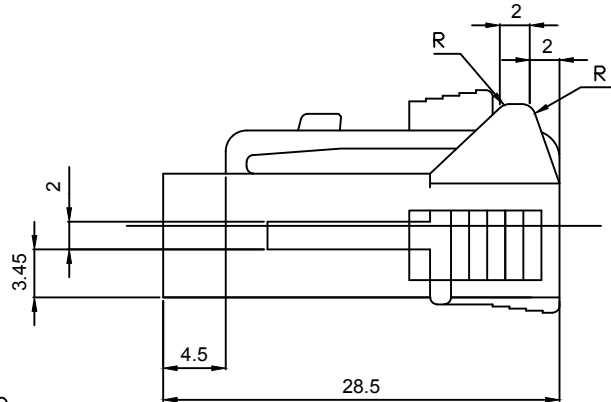
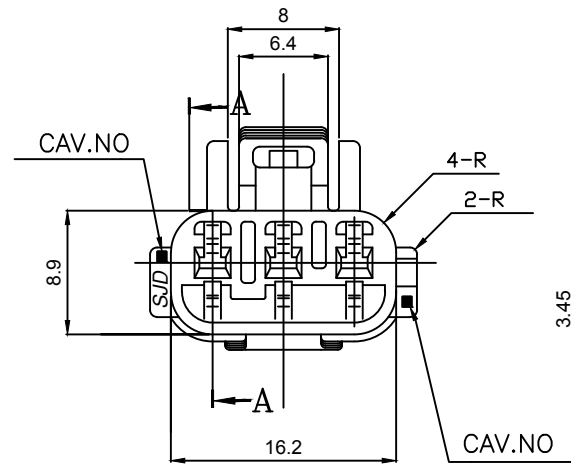
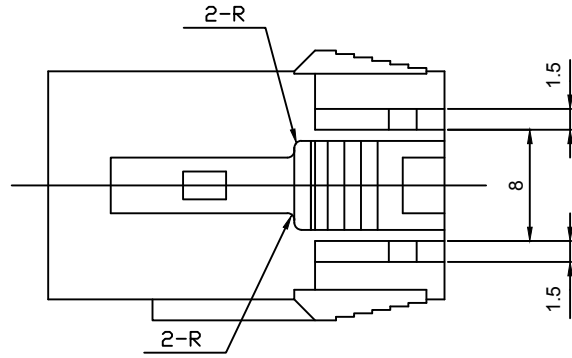


CONN. Z-03P RECEP



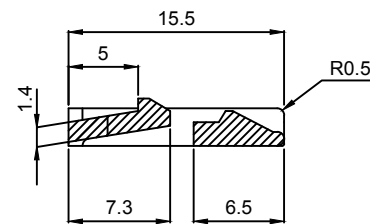
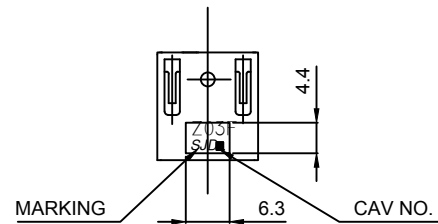
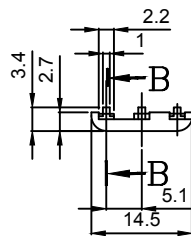
- NOTE -

- 상대 MATCHING CONNECTOR : PB011-03320/35297289
- ASS'Y 부품
 - * FRONT HOLDER : PB025-03880/13709658
 - * TERMINAL
 - Z TM'L RECEP-0.2 : MT095-33080/15484425
 - Z TM'L RECEP-0.5 : MT095-33880/13677827
 - Z TM'L RECEP-0.2(AU) : MT095-33060/15484423
 - Z TM'L RECEP-0.5(AU) : MT095-33860/15484424
 - * WIRE SEAL

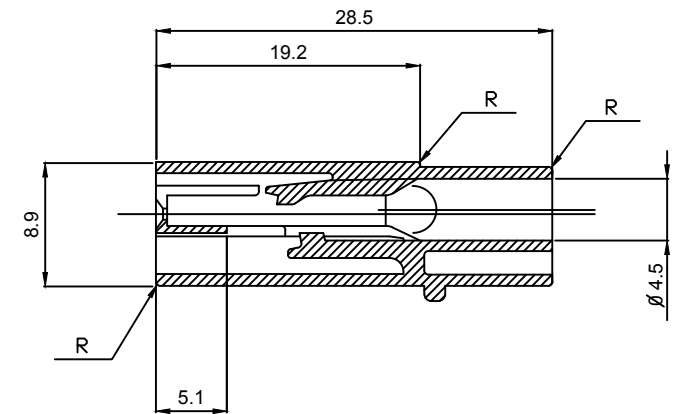
적용 전선(SQ)	KUM PART NAME	KUM P/NO.	APTIV P/NO.
AVS 0.2~0.3 AV 0.3	W/S Z-0.2	RS300-01000	15484426
AVSS 0.3~0.5 AV 0.5	W/S Z-0.5	RS300-02000	13719588
AVSS 0.85	W/S Z-0.5	RS300-02000	13719588
막음SEAL용 PIN	Z S/P	PZ001-07021	13616582

- 본 부품은 방수형 CONNECTOR임.
- APTIV Drawing No : 35337950

BZ-03P RECEP



SECTION B-B(2/1)



SECTION A-A(2/1)

GENERAL TOLERANCE 일반 공차 및 적용 규격							
	10MAX 10이하	50MAX 10이상 50이하	100MAX 50이상 100이하	150MAX 100이상 150이하	200MAX 150이상 200이하	200VR 200이상	ANGLE
A	±0.2	±0.3	±0.5	±0.8	±1.0	±1.4	±30'
B	±0.3	±0.5	±0.8	±1.0	±1.4	±2.0	±30'
C	±0.5	±0.8	±1.0	±1.4	±1.6	±2.0	±1'

BZ-03P RECEP		PB025-03880	13709658	LG	P.B.T
CONN. Z-03P RECEP		PB015-03320	35337950	GY	P.B.T
KUM PART NAME		KUM P/NO.	APTIV P/NO.	COLOR	MATERIAL
THIRD ANGLE PROJECTION	A	1/1(2/1)	R.H.S		
TOLERANCE	SCALE	DRAWN	CHECKED	APPROVED	

SIGN	DATE	NOTE NO.	SYM	ALTERATION	SIGN
	19.08.02	-	△	ADDED APTIV P/No.	KYB
	94.07.25	-	-	신 설	

PART NO.	PB015-03320-C01
PART NAME	CONNECTOR Z-03P RECEP

● APTIV ●